



**GeoXD<sup>®</sup>**

**ASTRAK<sup>®</sup>**

# **MAXIMISING MACHINE UPTIME**

<b>04</b>	<b>Geo XD Buckets</b>
<b>05</b>	<b>0.8 Tonne Buckets</b>
<b>06</b>	<b>1.5 Tonne Buckets</b>
<b>07</b>	<b>3 Tonne Buckets</b>
<b>08</b>	<b>5 Tonne Buckets</b>
<b>09</b>	<b>8 Tonne Buckets</b>
<b>10</b>	<b>13-25 Tonne Digging Buckets</b>
<b>11</b>	<b>13-25 Tonne Ditching Buckets</b>
<b>12</b>	<b>Alternatives and Options</b>
<b>13</b>	<b>Bucket Widths</b>
<b>14-18</b>	<b>Bucket Wear Parts</b>
<b>19</b>	<b>Bucket Measuring Sheet</b>

# GeoXD<sup>®</sup> Buckets



Since we began servicing the industry in 2008, we have strived to meet our customers' requirements throughout the UK with undercarriage parts. Our bucket range is an exciting extension to this. We are launching a premium range of buckets for use in the civils, construction, demolition, OEM machinery dealer and plant hire sectors. We offer comprehensive stock, a proven distribution model and unbeatable service.

## Why Geo XD?

Using our supply chain expertise and long standing manufacturing partner, we are bringing a range of buckets aimed at disrupting the markets with an unparalleled level of availability, quality and price competitiveness.

- Competitively Priced Bucket Teeth and Cutting Edge Replacements
- Heat Treated Steel
- Bucket Hooks
- Triple Welds
- Bolt-in Pins
- Bossed Hangers
- Heavy Duty Cutting Edges and Wear Strips

Suiting an initial range of 0.8-25 tonne machines, our usual next day delivery and high stock levels will ensure you can have the right buckets at the right time, and peace of mind that we will provide the correct solution for your requirement every time.



**Brandon White**  
Category Manager

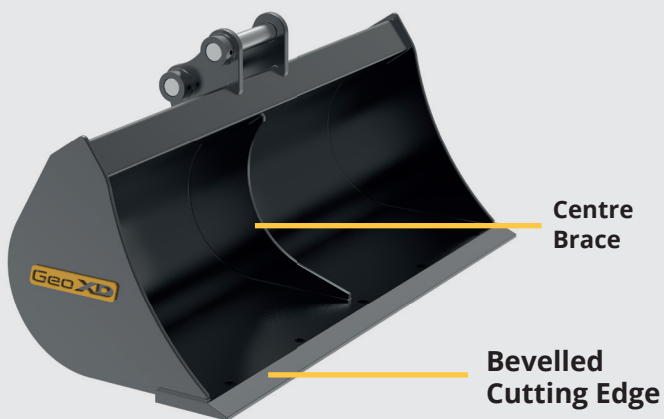
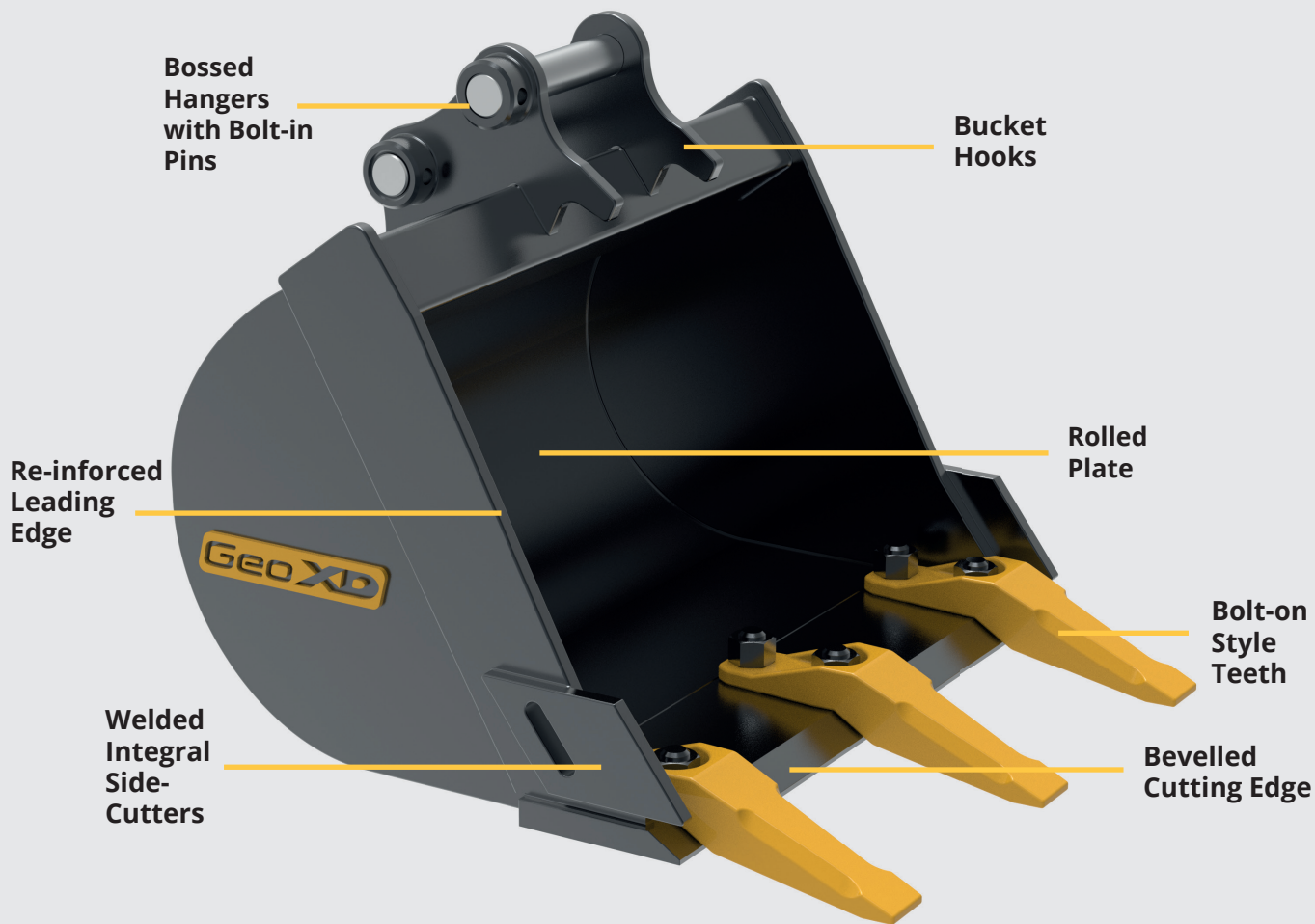


SCAN ME

*Astrak's Geo XD bucket range is the premium, heavy duty answer to your digging requirements. We have developed this range based on customer feedback, and as we expand this range, you the customer, will be at the heart of what we do.*

# 0.8T Buckets

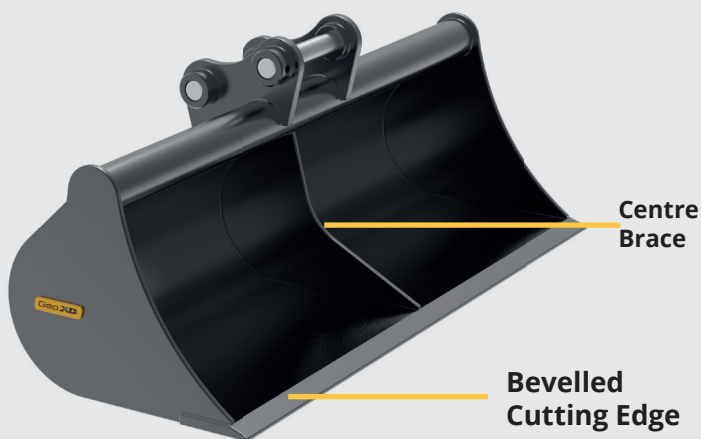
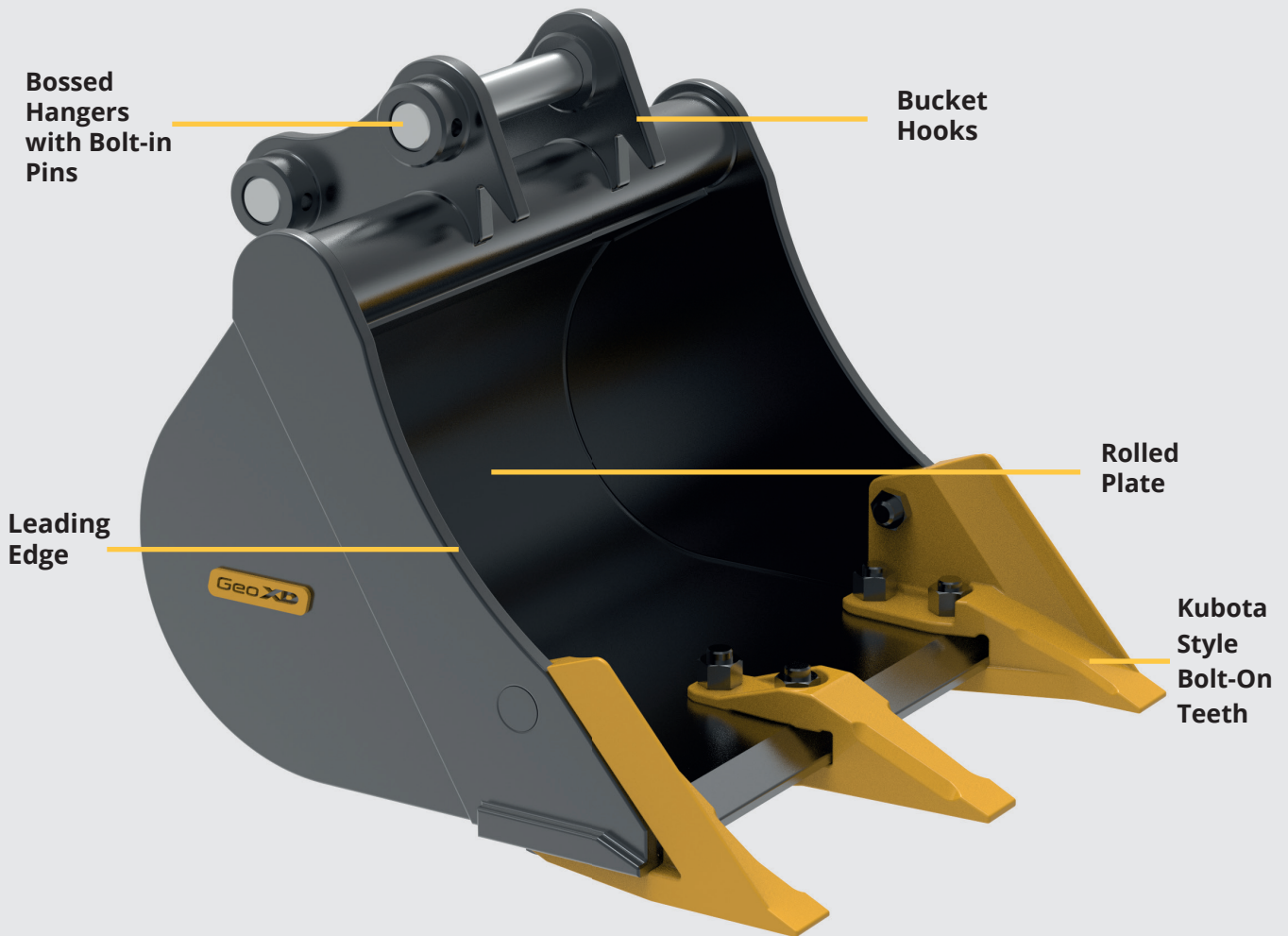
In our micro-bucket range, we have struck the balance between quality and weight, ensuring your machine operates as efficiently as possible.



Specification	Material	Thickness
Hangers	S355	10mm
Rolled Plate	S355	4mm
Cutting Edge	S355	16mm
Side Cutters	S355	10mm
Centre Brace	S355	6mm
Leading Edge	S355	8mm

# 1.5T Buckets

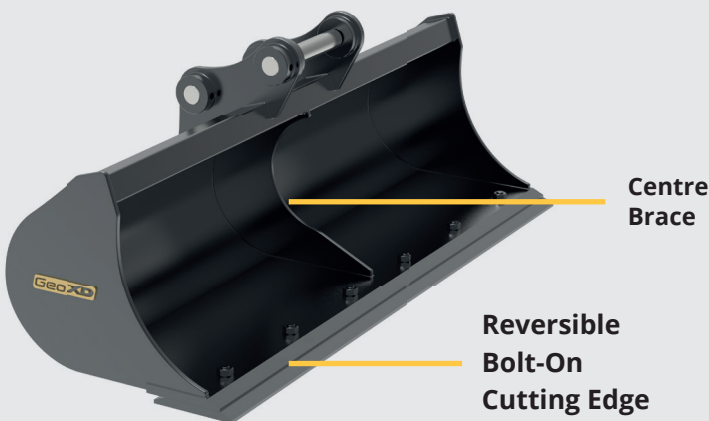
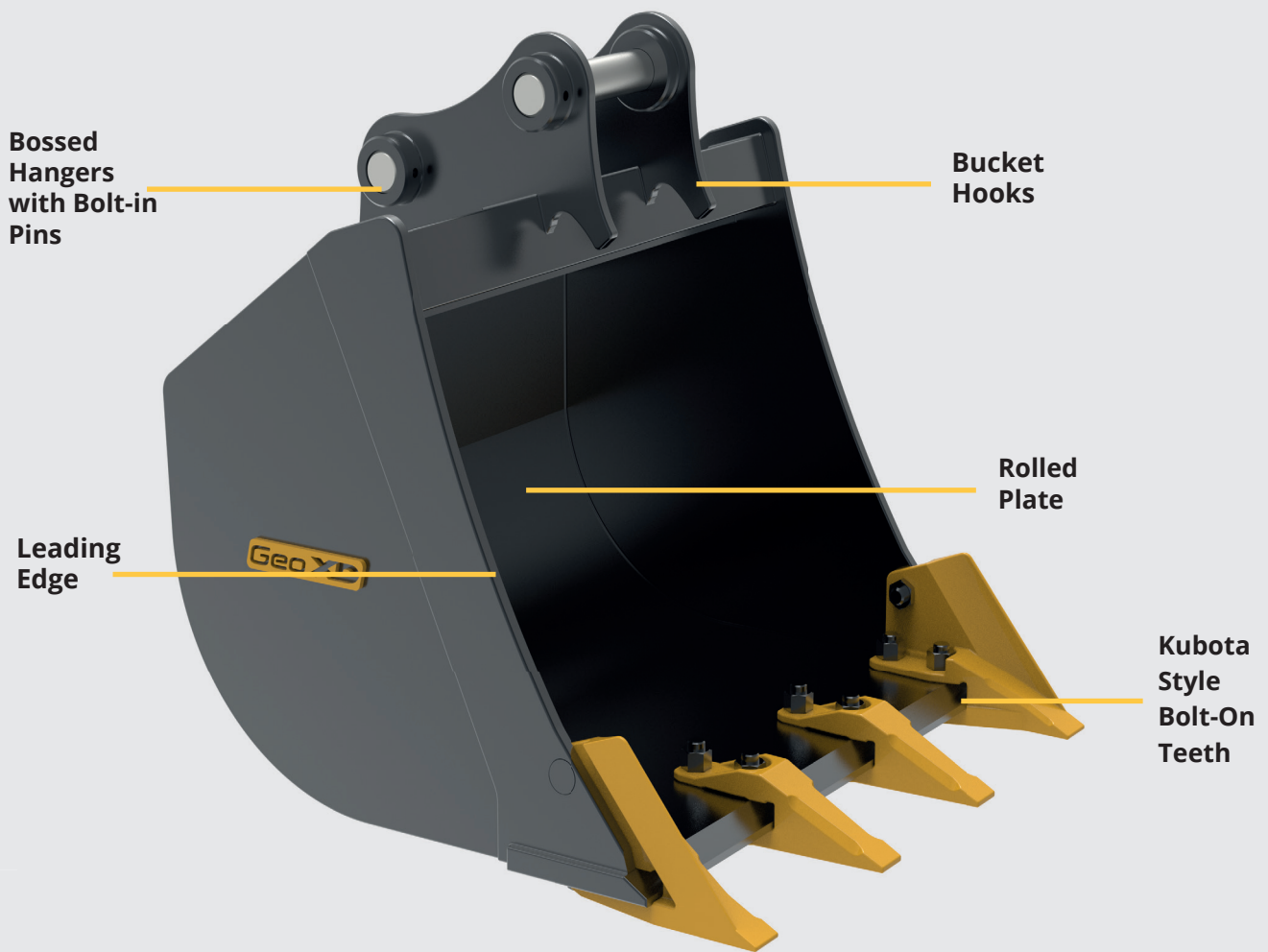
The Geo XD 1.5 Tonne bucket range is readily available, and like all our buckets, has the extra wear protection on the side of the bucket.



Specification	Material	Thickness
Hangers	S355	12mm
Rolled Plate	S355	4mm
Cutting Edge	S355	16mm
Centre Brace	S355	10mm
Leading Edge	S355	10mm

# 3T Buckets

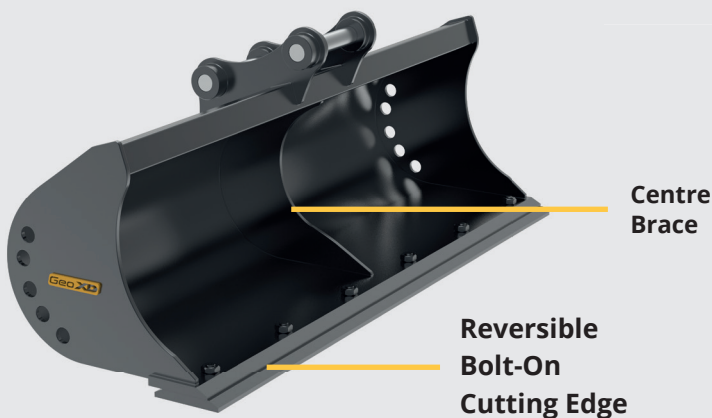
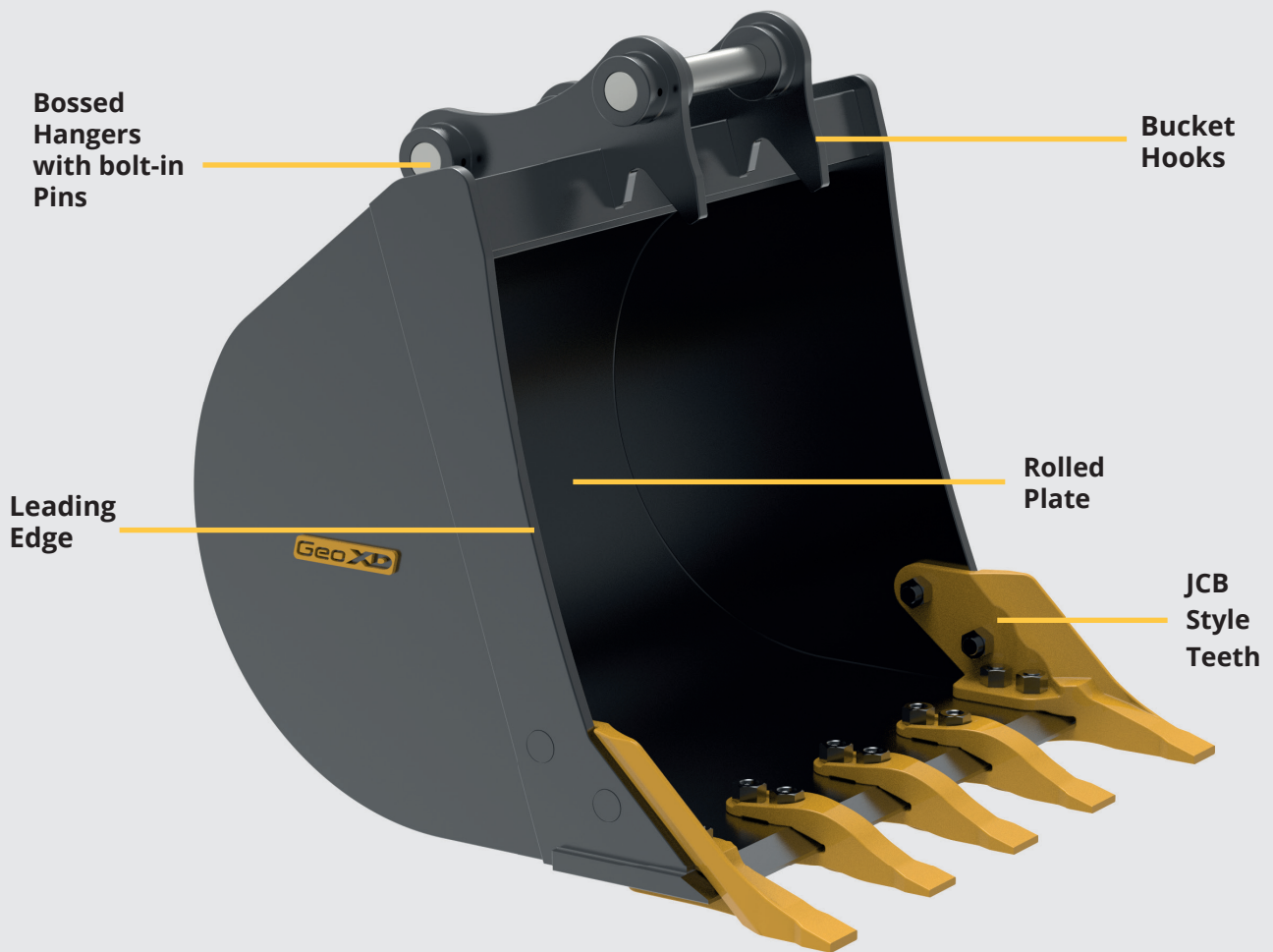
Our 3 Tonne range is industry leading in quality and extent of wear material. The ditching bucket has a reversible cutting edge, and the digging bucket comes with bolt-on side-cutters.



Specification		
	Material	Thickness
Hangers	S355	12mm
Rolled Plate	S355	5mm
Cutting Edge	S355	16mm
Centre Brace	S355	8mm
Leading Edge	S355	5mm

# 5T Buckets

The 5 Tonne Geo XD range combines quality, thickness of steel and weight. This ensures our buckets will set the standard of efficiency and durability. Again, the ditching bucket has a reversible cutting edge, and the digging buckets come with bolt-on side-cutters.

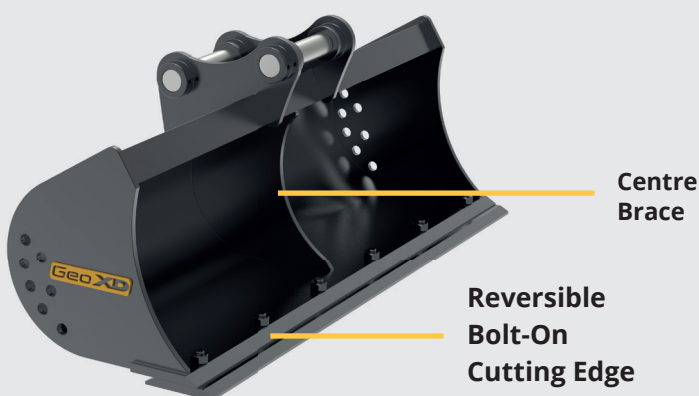
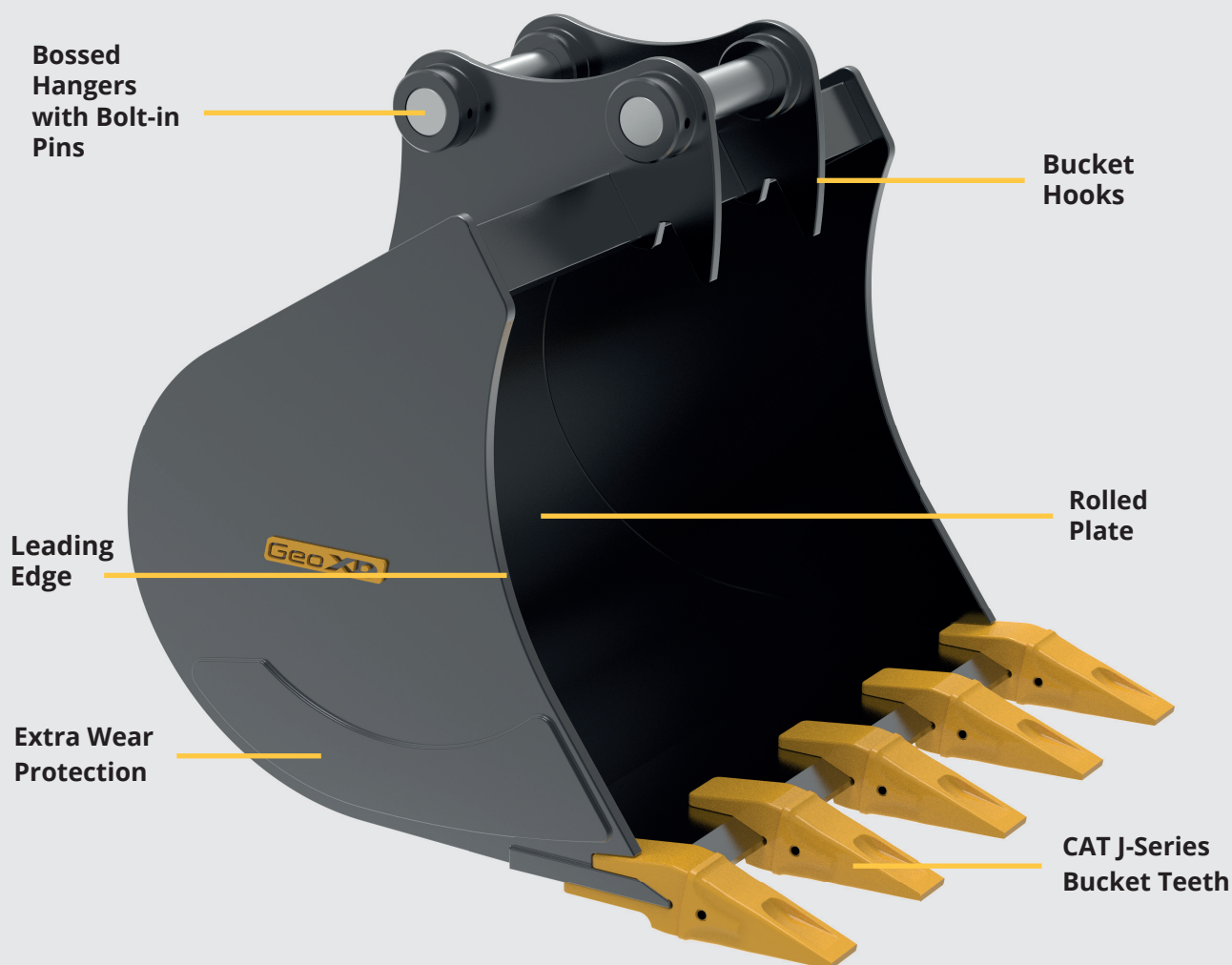


Specification	Material	Thickness
Hangers	S355	12mm
Rolled Plate	S355	5mm
Cutting Edge	S355	20mm
Centre Brace	S355	10mm
Leading Edge	S355	12mm



# 8T Buckets

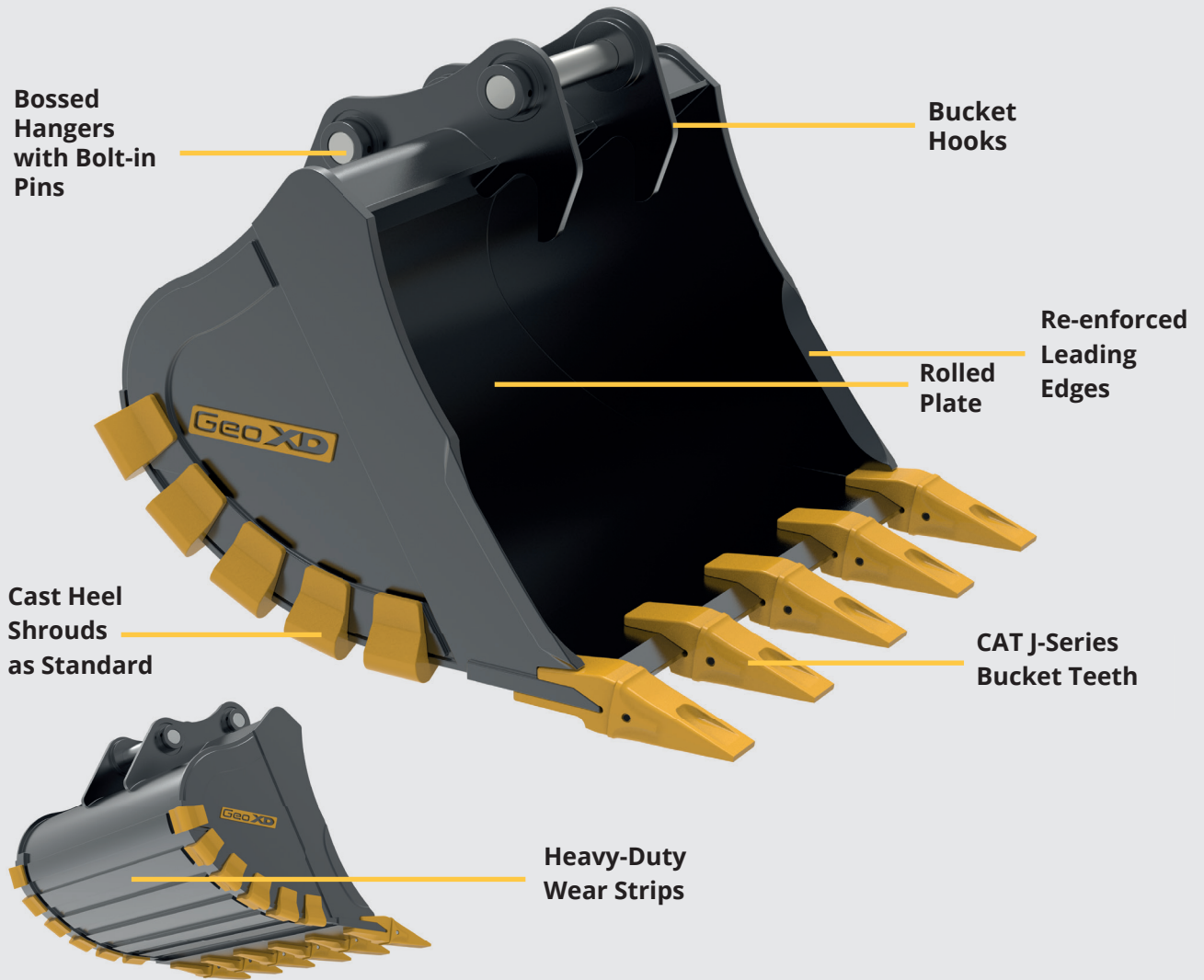
From 12" to 60", our 8 Tonne buckets are built to perform in the toughest of environments, with extra wear protection and Cat J-Series Bucket Teeth.



Specification		
	Material	Thickness
Hangers	S355	16mm
Rolled Plate	S355	6mm
Cutting Edge	S355	25mm
Centre Brace	S355	12mm
Leading Edge	S355	16mm
Reversible Cutting Edge	S355	16mm

# 13-25T Digging Buckets

Our 13 to 25 Tonne range of digging buckets is the heavy duty answer, no matter your industry. Heel shrouds and wear strips increase the life of the bucket, whilst not changing the overall width of the bucket.



**13T Specification**

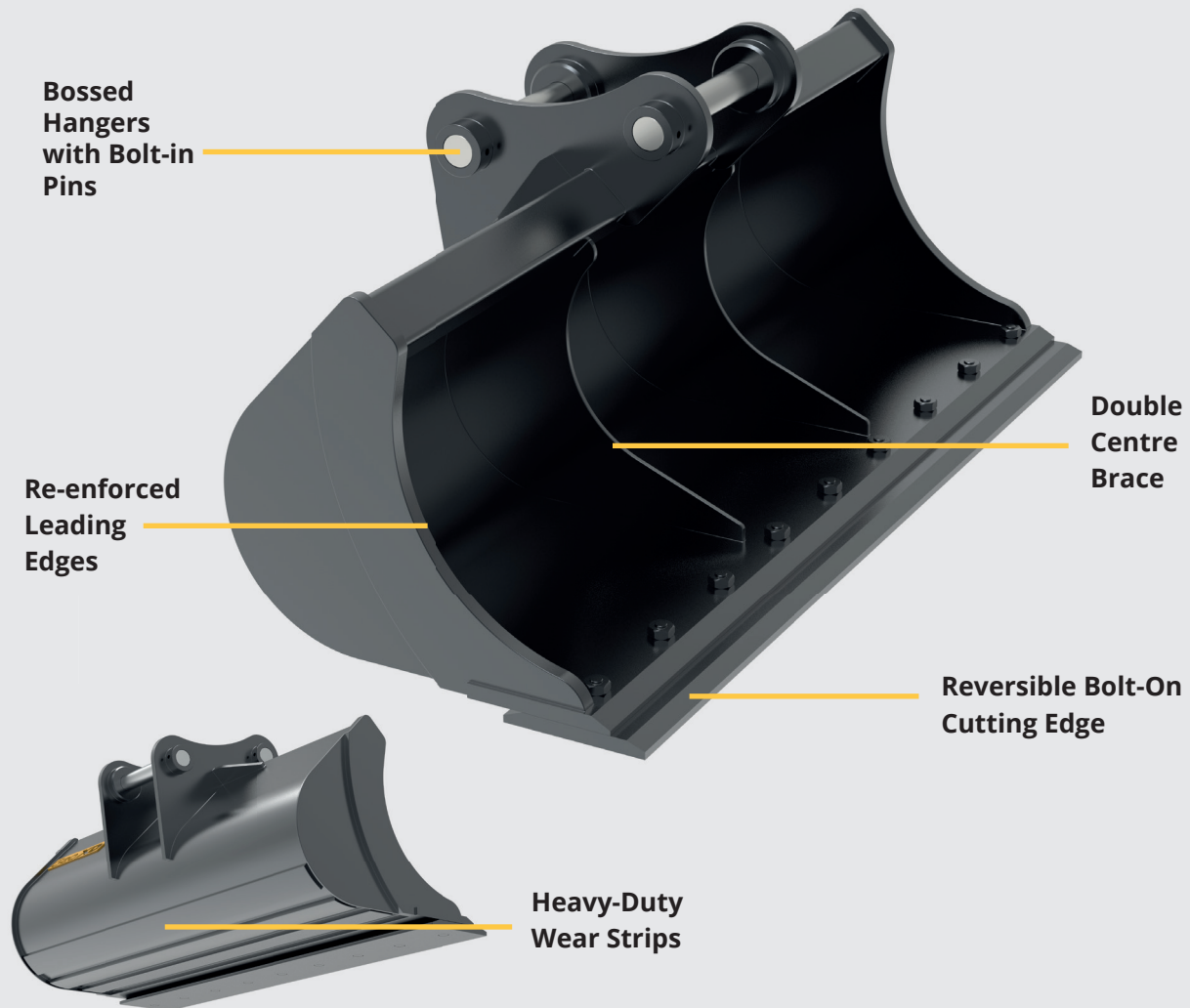
	Material	Thickness
Hangers	S355	20mm
Cutting Edge	400HB	30mm
Leading Edge	S355	12mm
Rolle Back	S355	8mm
Top Beam	S355	10mm
Side Wear Strip	S355	14mm
Wear Bar	S490	12mm
Rear Side Plate	S355	8mm

**20-25T Specification**

	Material	Thickness
Hangers	S355	25mm
Cutting Edge	400HB	40mm
Leading Edge	S355	25mm
Rolle Back	S355	10mm
Top Beam	S355	14mm
Side Wear Strip	S355	14mm
Wear Bar	S490	14mm
Rear Side Plate	S355	8mm

# 13-25T Ditching Buckets

Our ditching bucket in this range not only comes with industry standard reversible edge, but also two centre braces to strengthen the bucket, and wear strips across the back. This means the critical wear parts and stress points will not fail. There are also heavy-duty cutting edges available upon request.



13T Specification		
	Material	Thickness
Hangers	S355	20mm
Top Cutting Edge	400HB	25mm
Lower Cutting Edge	400HB	25mm
Rolled Plate	S355	8mm
Wear Bar	S490	12mm
Leading Edge	S355	20mm
Centre Brace	S355	14mm
Rear Side Plate	S355	8mm

20-25T Specification		
	Material	Thickness
Hangers	S355	20mm
Top Cutting Edge	400HB	30mm
Lower Cutting Edge	400HB	25mm
Rolled Plate	S355	10mm
Wear Bar	S490	14mm
Leading Edge	S355	25mm
Centre Brace	S355	25mm
Rear Side Plate	S355	10mm

# Alternatives and Options



## Utility Buckets

Contact our sales team today and ask us about our range of buckets, specifically designed for the utilities sector and other specialist applications.



## Riddle Buckets

The Geo XD range also includes riddle buckets, contact us today to find out about our offering.

# Bucket Widths

0.8T BUCKETS						
Bucket Width (inch)	6"	9"	12"	18"	24"	30"
Bucket Type	Digging	Digging	Digging	Digging	Digging	Ditching
Full Spec Weight	21 kg	23 kg	26 kg	35 kg	39 kg	38 kg

1.5T BUCKETS					
Bucket Width (inch)	9"	12"	18"	24"	36"
Bucket Type	Digging	Digging	Digging	Digging	Ditching
Full Spec Weight	38 kg	42 kg	50 kg	59 kg	49 kg

3T BUCKETS					
Bucket Width (inch)	9"	12"	18"	24"	48"
Bucket Type	Digging	Digging	Digging	Digging	Ditching
Full Spec Weight	50 kg	57 kg	70 kg	83 kg	85 kg

5T BUCKETS						
Bucket Width (inch)	12"	18"	24"	30"	36"	60"
Bucket Type	Digging	Digging	Digging	Digging	Digging	Ditching
Full Spec Weight	97 kg	177 kg	135 kg	157 kg	177 kg	214 kg

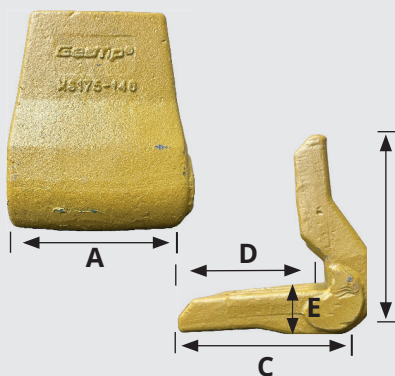
8T BUCKETS					
Bucket Width (inch)	12"	18"	24"	36"	60"
Bucket Type	Digging	Digging	Digging	Digging	Ditching
Full Spec Weight	130 kg	160 kg	188 kg	241 kg	234 kg

13T BUCKETS						
Bucket Width (inch)	18"	24"	30"	36"	48"	72"
Bucket Type	Digging	Digging	Digging	Digging	Digging	Ditching
Full Spec Weight	319 kg	369 kg	412 kg	465 kg	550 kg	574 kg

20T BUCKETS							
Bucket Width (inch)	18"	24"	30"	36"	48"	60"	84"
Bucket Type	Digging	Digging	Digging	Digging	Digging	Digging	Ditching
Full Spec Weight	500 kg	550 kg	614 kg	678 kg	821 kg	965 kg	949 kg

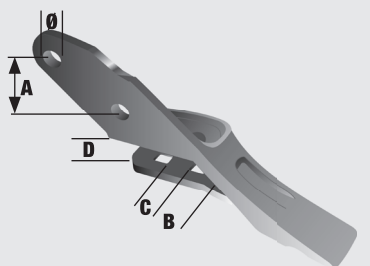
# Bucket Wear Parts

Upgrade your buckets to ultra heavy duty with our range of bucket protection.

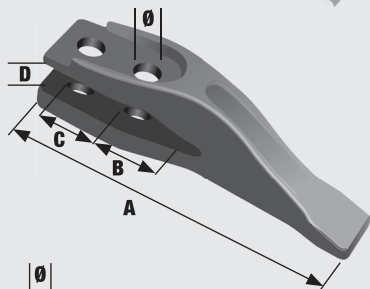


HEEL SHROUDS								
Product Code	Original Part No.	Machine Size	Dimensions (mm)					Weight (Kg)
			A	B	C	D	E	
HS140/022/110	HS140-110	15T - 20T	110	140	140	110	30	4.6

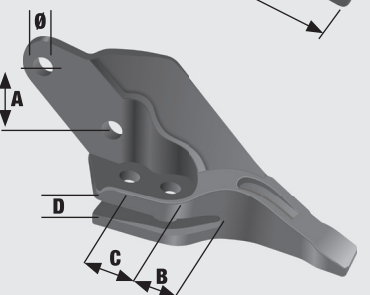
## JCB BOLT-ON TEETH



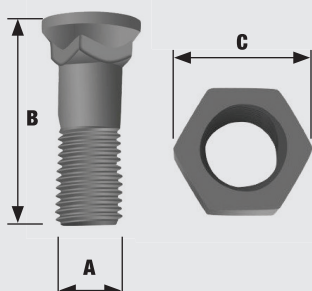
LEFT HAND								
Product Code	Original Part No.	Series	Dimensions (mm)					Weight (Kg)
			A	B	C	D	Ø	
BTJCB/LH0/00	53103208	3CX	87.5	57	44.5	21	20.5	5.25



CENTRE								
Product Code	Original Part No.	Series	Dimensions (mm)					Weight (Kg)
			A	B	C	D	Ø	
BTJCB/C00/00	53103205	3CX	245	57	44.5	21	20.5	2.5

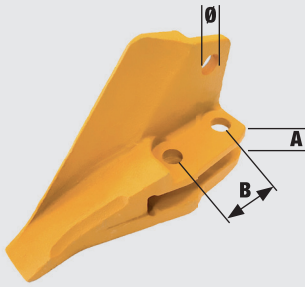


RIGHT HAND								
Product Code	Original Part No.	Series	Dimensions (mm)					Weight (Kg)
			A	B	C	D	Ø	
BTJCB/RH0/00	53103209	3CX	87.5	57	44.5	21	20.5	5.25

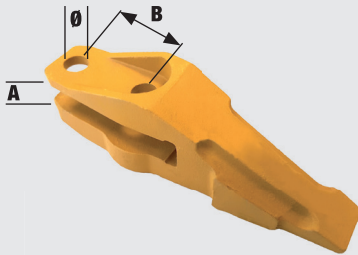


FASTENERS					
Product Code	Item	Series	Dimensions		
			A	B	C
PB034/063/00	Bolt	3CX	3/4"	2 3/4"	
PN034/000/00	Nut	3CX			28mm

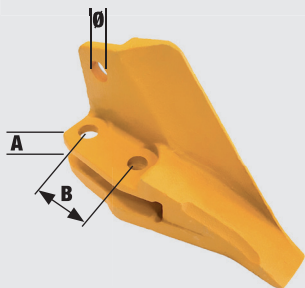
# KUBOTA BOLT-ON TEETH



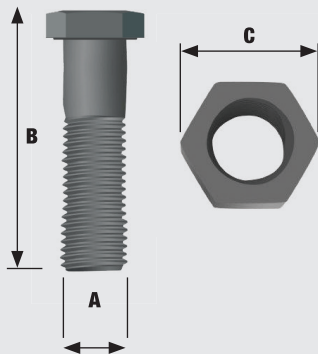
LEFT HAND						
Product Code	Original Part No.	Series	Dimensions (mm)			Weight (Kg)
			A	B	Ø	
BTKUB/LH0/00	4210091011	K2	17.0	55	16.5	1.80



CENTRE						
Product Code	Original Part No.	Series	Dimensions (mm)			Weight (Kg)
			A	B	Ø	
BTKUB/C00/00	5017005010	K2	17.0	55	16.5	1.0



RIGHT HAND						
Product Code	Original Part No.	Series	Dimensions (mm)			Weight (Kg)
			A	B	Ø	
BTKUB/RH0/00	4210091012	K2	17.0	55	16.5	1.80

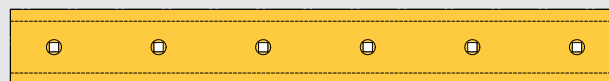


FASTENERS						
Product Code	Item	Series	Dimensions			Weight (Kg)
			A	B	C	
BL014/055/00	Bolt	K2	14	55		
NT014/000/00	Nut	K2			22	

## CUTTING EDGE & WEAR STRIP

### 4FT CUTTING EDGE

<b>W x H x T (mm)</b> 1225 x 152 x 20	<b>Size</b> 5/8"
<b>Bolt Holes No.</b> 6	<b>Part No.</b> PB058/063/00
<b>Astrak Part No.</b> DBE020/537/1225	<b>Part No.</b> PN058/000/00



Hole Centres  
210mm

### 5FT CUTTING EDGE

<b>W x H x T (mm)</b> 1525 x 203 x 20	<b>Size</b> 3/4"
<b>Bolt Holes No.</b> 6	<b>Part No.</b> PB034/063/00
<b>Astrak Part No.</b> DBE020/027/1525	<b>Part No.</b> PN034/000/00



Hole Centres  
277mm

## 6FT CUTTING EDGE

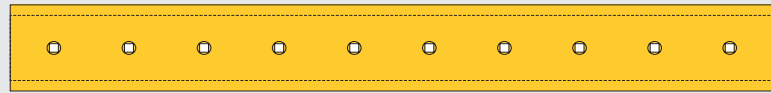
<b>W x H x T (mm)</b> 1829 x 254 x 25	<b>Size</b> 7/8"
<b>Bolt Holes No.</b> 9	<b>Part No.</b> PB078/075/00
<b>Astrak Part No.</b> DBE025/006/1829	<b>Part No.</b> PN078/000/00



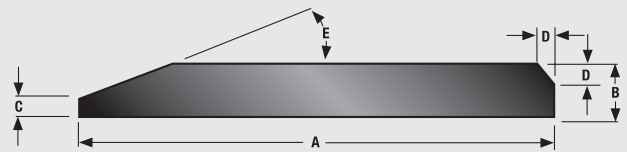
Hole Centres  
210mm

## 7FT CUTTING EDGE

<b>W x H x T (mm)</b> 2134 x 254 x 25	<b>Size</b> 7/8"
<b>Bolt Holes No.</b> 10	<b>Part No.</b> PB078/075/00
<b>Astrak Part No.</b> DBE025/006/2134	<b>Part No.</b> PN078/000/00



Hole Centres  
210mm



## SINGLE BEVEL CUTTING EDGE - 500HB

Product Code	Dimensions (mm)					Length (mm)	Weight (Kg/m)
	A	B	C	D	E		
SB012/110/3M (500HB)	110	12	3	2	24°	3000	9.6
SB016/150/3M (500HB)	150	16	6	5	24°	3000	17.8
SB020/150/3M (500HB)	150	20	5	5	23°	3000	21.7
SB020/200/3M (500HB)	200	20	5	8	23°	3000	29.6
SB025/200/3M (500HB)	200	25	11	8	23°	3000	36.7
SB025/250/3M (500HB)	250	25	6	10	23°	3000	44.8
SB030/250/3M (500HB)	250	30	11	10	23°	3000	55.8
SB030/300/3M (500HB)	300	30	8	8	23°	3000	66.2
SB040/300/3M (500HB)	300	40	18	8	23°	3000	89.5
SB045/400/3M (500HB)	400	45	15	12	25°	3000	132.9
SB050/400/3M (500HB)	400	50	20	12	25°	3000	147.8

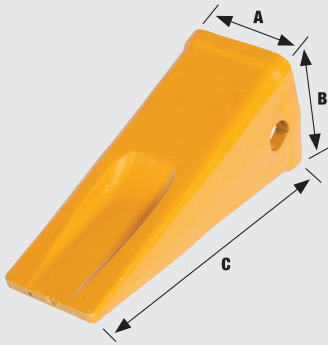
## WEAR STRIP - 500HB

Product Code	Dimensions (mm)		Length (mm)	Weight (Kg/m)
	A	B		
WS010/080/3M (500HB)	80	10	3000	6.3
WS010/100/3M (500HB)	100	10	3000	24.1
WS010/150/3M (500HB)	150	10	3000	11.8
WS010/200/3M (500HB)	200	10	3000	15.8
WS015/100/3M (500HB)	100	15	3000	11.7
WS020/120/3M (500HB)	120	20	3000	18.7
WS020/150/3M (500HB)	150	20	3000	23.4



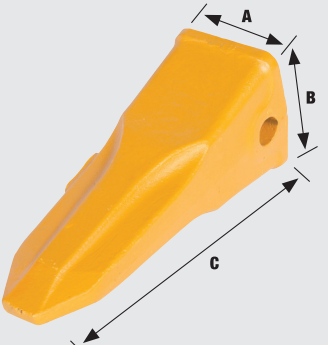


# CAT J SERIES



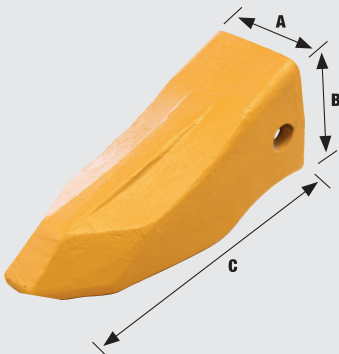
## STANDARD LONG

Product Code	Original Part No.	Kit Code	Series	Dimensions (mm)			Weight (Kg)
				A	B	C	
BTCJT/200/SL	1U3202	BTCKT/200/SL	J200	59	63	145	1.3
BTCJT/225/SL	6V3222	BTCKT/225/SL	J225	71	80	170	2
BTCJT/250/SL	1U3252	BTCKT/250/SL	J250/205	81	91	190	3.2
BTCJT/300/SL	1U3302	BTCKT/300/SL	J300/215	90	100	215	4.8
BTCJT/350/SL	1U3352	BTCKT/350/SL	J350/225	102	111	240	6.5
BTCJT/400/SL	7T3402	BTCKT/400/SL	J400	120	125	265	9.4
BTCJT/460/SL	9W8452	BTCKT/460/SL	J460/235	135	136	297	12
BTCJT/550/SL	9W8552	-	J550/245	163	154	340	19



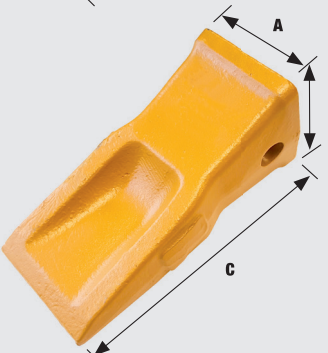
## ROCK CHISEL

Product Code	Original Part No.	Kit Code	Series	Dimensions (mm)			Weight (Kg)
				A	B	C	
BTCJT/250/RC	1U3252 RC	BTCKT/250/RC	J250/205	80	94	220	3.50
BTCJT/300/RC	1U3302 RC	BTCKT/300/RC	J300/215	91	103	250	5.75
BTCJT/350/RC	1U3352 RC	BTCKT/350/RC	J350/225	103	112	273	7.75
BTCJT/400/RC	7T3402 RC	BTCKT/400/RC	J400	117	126.5	313	11
BTCJT/460/RC	9W8452 RC	BTCKT/460/RC	J460/235	137	140	330	14.7
BTCJT/550/RC	9W8552 RC	-	J550/245	163	156	388	24
BTCJT/600/RC	6I6602 RC	-	J600	190	189	480	40.7



## HD PENETRATION

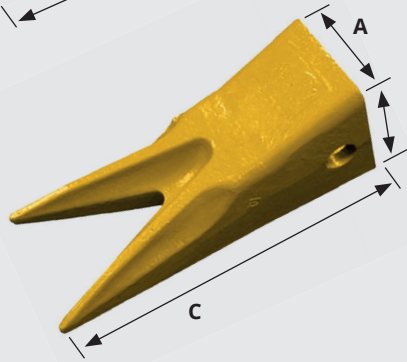
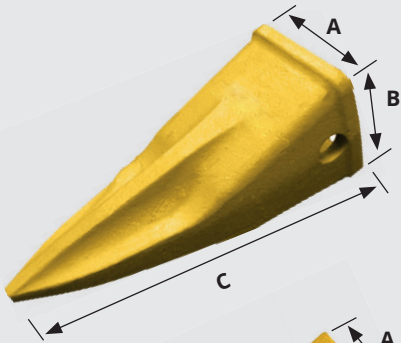
Product Code	Original Part No.	Series	Dimensions (mm)			Weight (Kg)
			A	B	C	
BTCJT/300/HP	135-9300	J300/215	95	104	262	8.7
BTCJT/350/HP	144-1358	J350/225	112	119	295	13



## HD ABRASION

Product Code	Original Part No.	Series	Dimensions (mm)			Weight (Kg)
			A	B	C	
BTCJT/350/HA	4T-2353	J350	104	113	238	7.1
BTCJT/400/HA	7T-3403	J400	124	133	275	13.5
BTCJT/460/HA	9N-4453	J460/235	140	145	310	21
BTCJT/550/HA	6Y-2553	J550/245	166	158	356	30
BTCJT/600/HA	6I-6603	J600	201	195	415	58

# TIGER TEETH



## TIGER TEETH

Product Code	Original Part No.	Series	Dimensions (mm)			Weight (Kg)
			A	B	C	
BTCJT/300/ST	1U3302TL	J300	91	103	260	4.5
BTCJT/350/ST	1U3352TL	J350	103	112	280	5.5

## TWIN TIGER TEETH

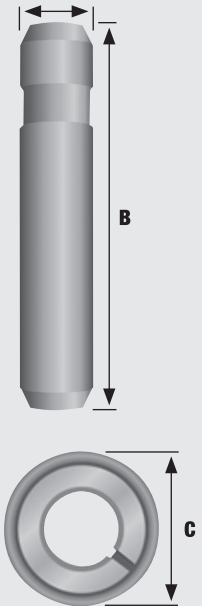
Product Code	Original Part No.	Series	Dimensions (mm)			Weight (Kg)
			A	B	C	
BTCJT/300/TT	1U3302WTL	J300	91	103	260	4.7
BTCJT/350/TT	1U3352WTL	J350	103	112	280	6.75

## PINS

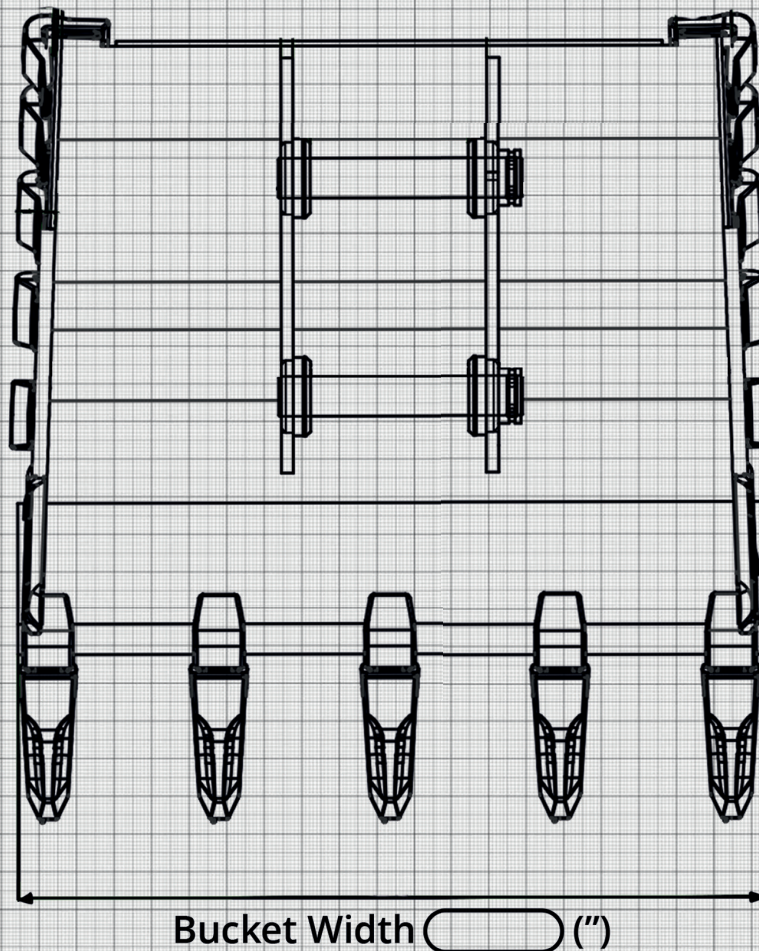
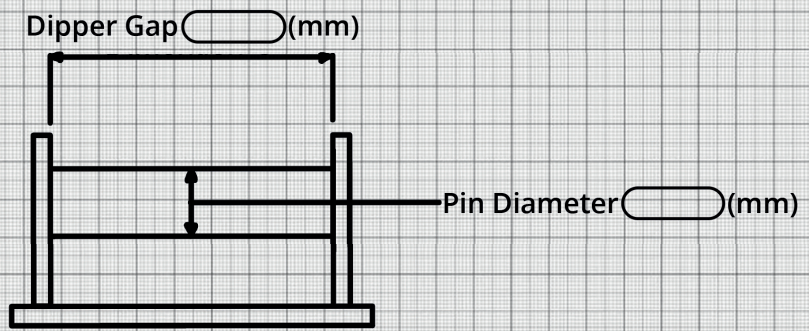
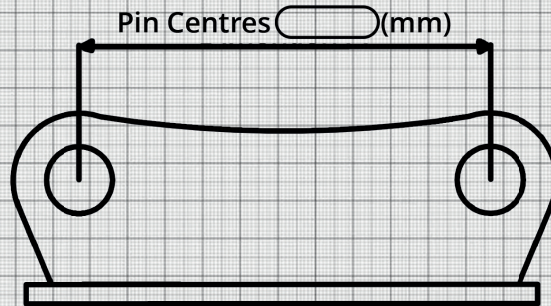
Product Code	Original Part No.	Series	Dimensions (mm)	
			A	B
BTCJP/200/00	8E6208	J200	10	55
BTCJP/225/00	6Y3228	J225	14	69
BTCJP/250/00	8E6258	J250	14	76
BTCJP/300/00	9J2308	J300	14	92
BTCJP/350/00	8E6358	J350	19	105
BTCJP/400/00	7T3408	J400	22	118
BTCJP/460/00	8E0468	J460	24	133
BTCJP/550/00	6Y8558	J550	25	160
BTCJP/600/00	6I6608	J600	30	192

## RETAINERS

Product Code	Original Part No.	Series	Dimensions (mm)
			C
BTCJR/200/SD	8E6209	J200	21.5
BTCJR/300/SD	8E6259	J225	30
BTCJR/300/SD	8E6259	J250	30
BTCJR/300/SD	8E6259	J300	30
BTCJR/350/SD	8E6359	J350	40
BTCJR/400/SD	8E8409	J400	42
BTCJR/460/SD	8E0469	J460	44
BTCJR/550/SD	8E5559	J550	53
BTCJR/600/SD	6I6609	J600	58



# Bucket Measuring Sheet





**ASTRAK UK Limited**

Wheatfield Road, Dunnikier Business Park

Kirkcaldy, Fife, KY1 3PD

Tel: 0330 555 2000

Email: [uk@astrak.com](mailto:uk@astrak.com)

Web: [astrak.com](http://astrak.com)